

Omni-20/Urban-20 Linen Cabinet - WALL HUNG

Specification & Installation Guide

Features

- Wall hung linen cabinet 20"(508mm)W x 18"(460mm)D x 71" (1803mm)H
- Bathroom Furniture grade plywood layered with solid wood veneer protected by polyurethane or finished with premium polyurethane solid color paints
- Matching finish inside and out
- 2 equal size reversible doors
- 4 handle options: NP/H9/HP/H3 - See below for handle model numbers.
- 1/8" interior mirror on top door
- Bottom cabinet: 1 interior tall drawer & 2 shelves
- Top cabinet:
 - 3 Shelves
 - Electrical outlets 120 VAC, 60HZ, 15A and USB ports
 - Hair dryer, hair straightener and hair brush holders
 - Cosmetic Tray Organizer
 - Magnifying Mirror
- Handle finish options: polished chrome (PC), brushed nickel (BN), polished nickel (PN), matte black (MB) and satin brass (SB)
- Cabinet furnished assembled

Package dimension

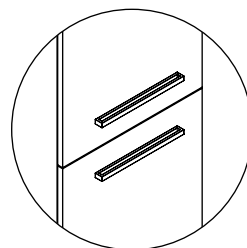
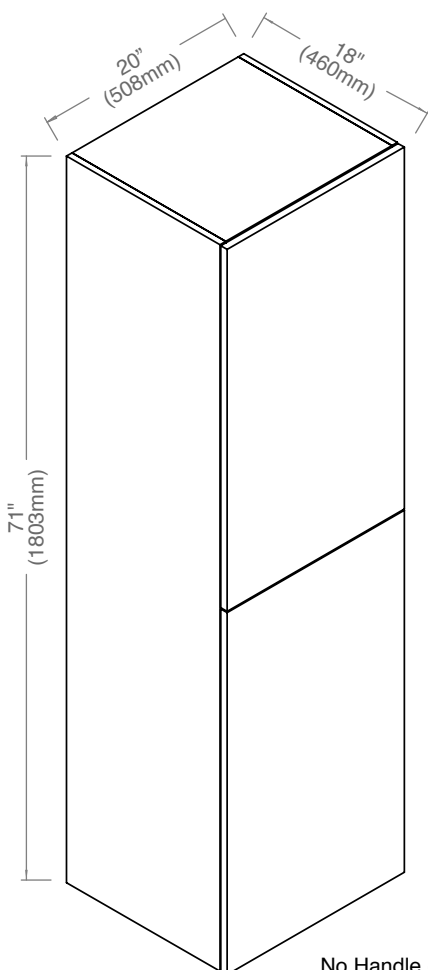
23"(584mm) x 21"(533mm) x 73"(1854mm)

Gross weight

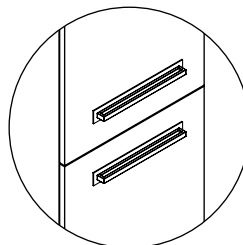
120 lbs / 55 kgs

Finishes

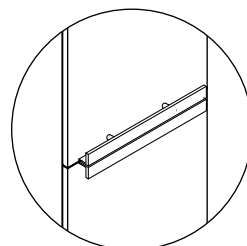
- Brandy (BR)
- Sapphire (SA)
- Studio Grey (TG)
- Walnut (WA)
- White (WH)



H9 Handle



HP Handle



H3 Handle (Urban-20)

No Handle (NP)

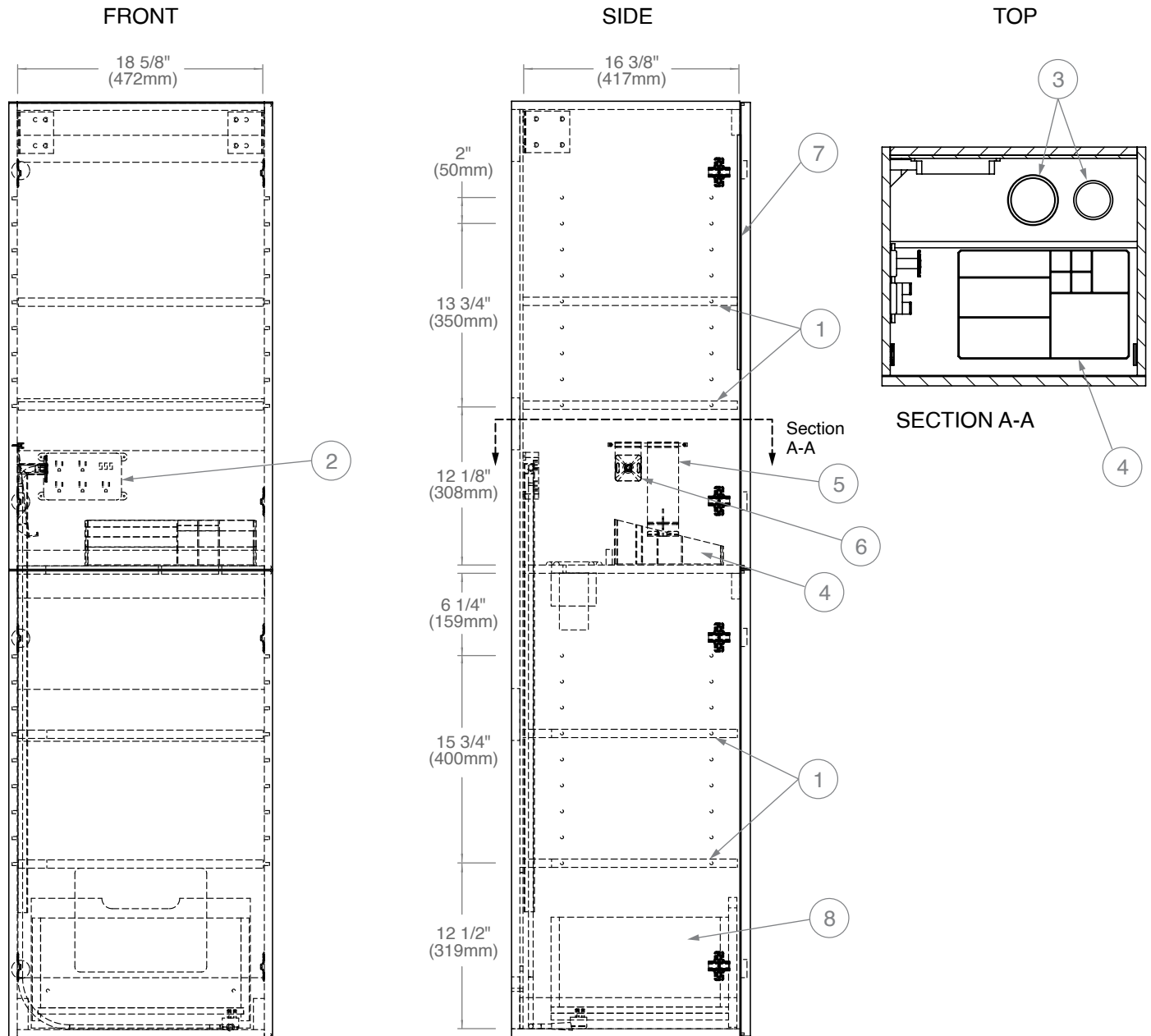


For clarification, please contact Madeli Customer Care at (800) 819-6988 Ext.1 or service@madeli.com

All dimensions are approximate and subject to standard tolerance. Specifications subject to change without prior notice.

Omni-20/Urban-20 Linen Cabinet - WALL HUNG

Specification & Installation Guide



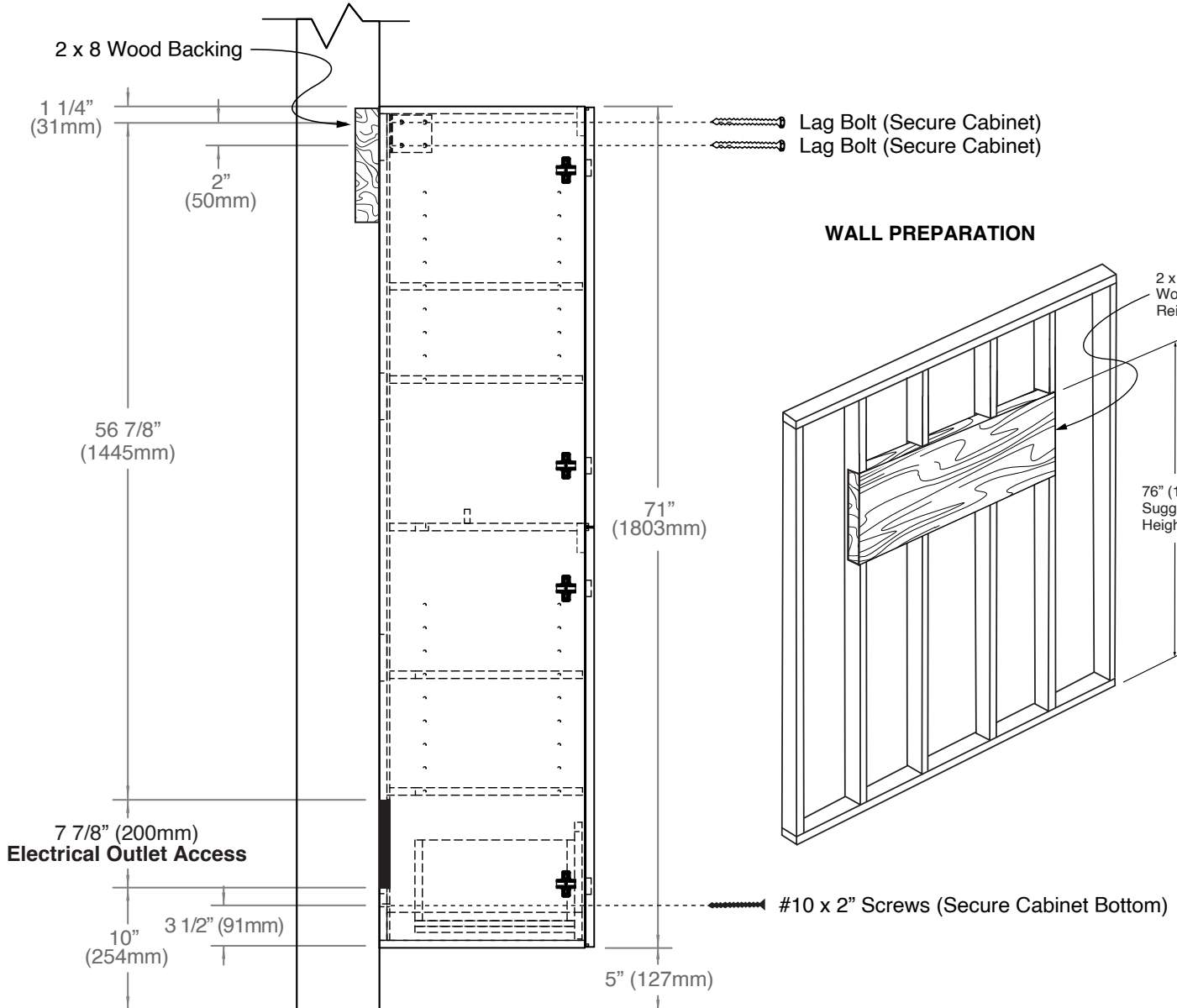
- | | |
|---|---------------------------|
| 1) Adjustable shelves | 5) Phone holder |
| 2) Electrical outlets 120 VAC, 60HZ, 15A and USB ports | 6) Cord organizer |
| 3) Hair dryer, hair straightener and hair brush holders | 7) Mirror (on door panel) |
| 4) Cosmetic tray organizer | 8) Interior tall drawer |

For clarification, please contact Madeli Customer Care at (800) 819-6988 Ext.1 or service@madeli.com
All dimensions are approximate and subject to standard tolerance. Specifications subject to change without prior notice.

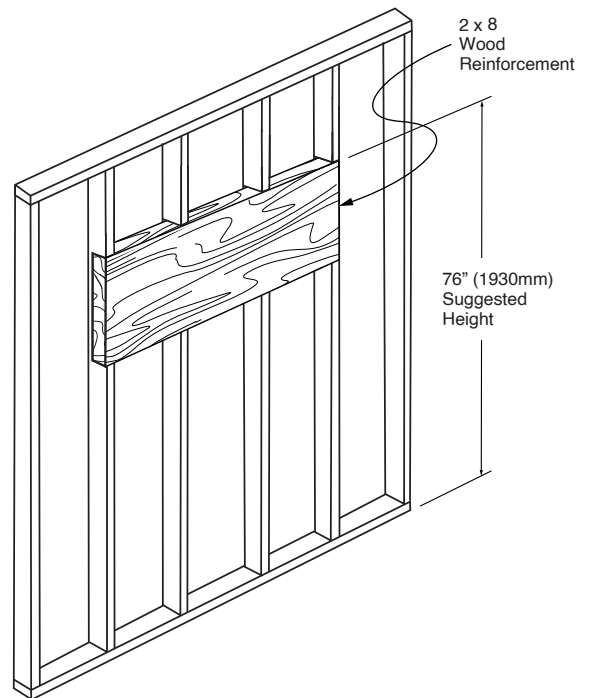
Omni-20/Urban-20 Linen Cabinet - WALL HUNG

Specification & Installation Guide

TYPICAL INSTALLATION



WALL PREPARATION



ACCESSORIES FOR INSTALLATION



Anchors
x6



#10 x 2"
Screws
x2



Lag Bolts
5/16 x 1 1/2"
x4

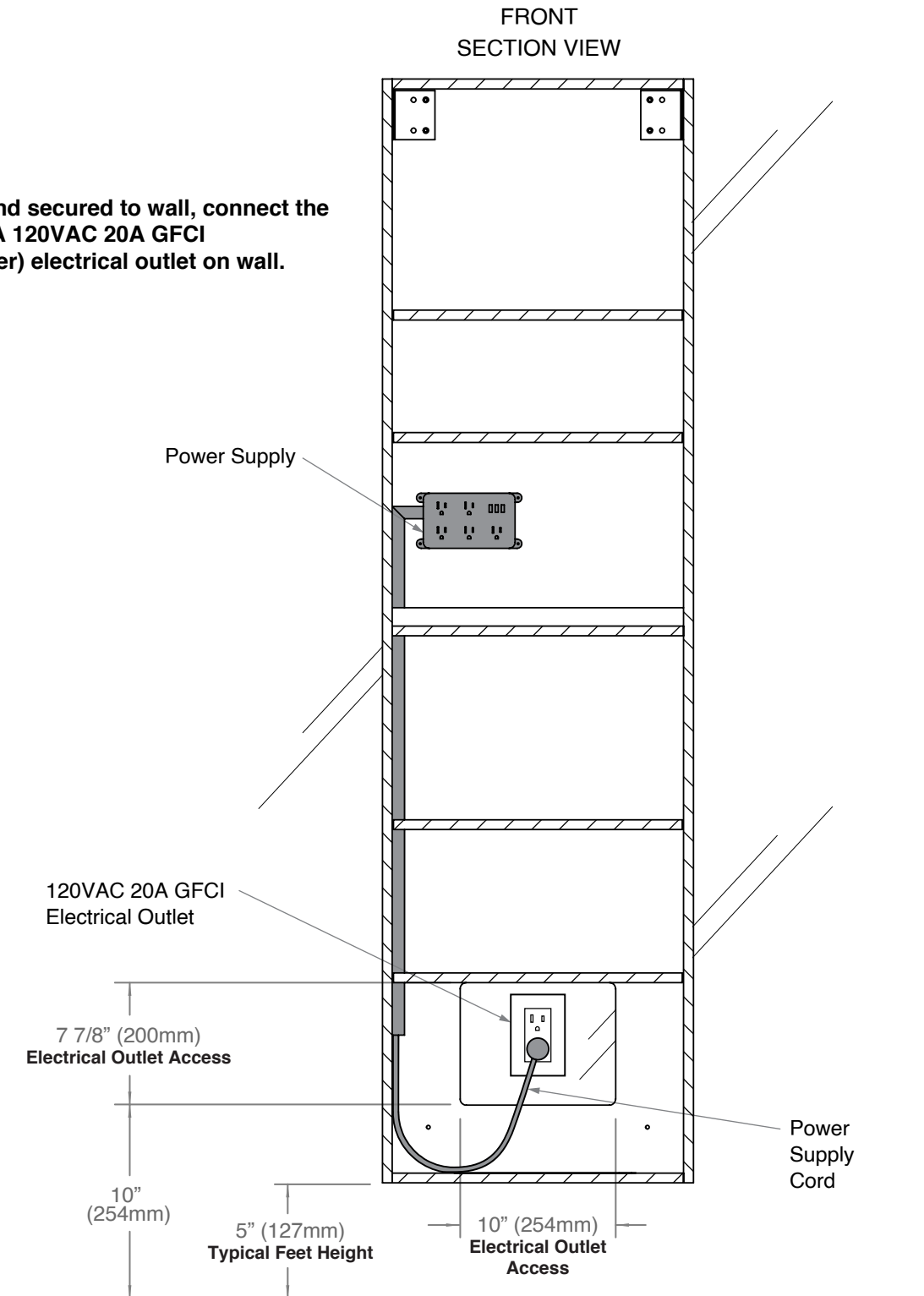
For clarification, please contact Madeli Customer Care at (800) 819-6988 Ext.1 or service@madeli.com
All dimensions are approximate and subject to standard tolerance. Specifications subject to change without prior notice.

Omni-20/Urban-20 Linen Cabinet - WALL HUNG

Specification & Installation Guide

ELECTRICAL CONNECTION

After the cabinet is mounted and secured to wall, connect the power supply cord to a Class A 120VAC 20A GFCI (Ground Fault Circuit Interrupter) electrical outlet on wall.



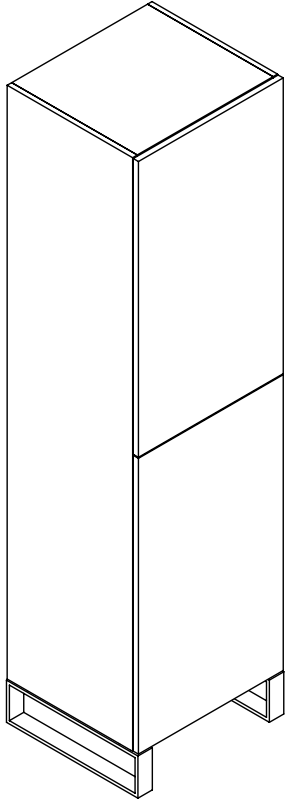
For clarification, please contact Madeli Customer Care at (800) 819-6988 Ext.1 or service@madeli.com
All dimensions are approximate and subject to standard tolerance. Specifications subject to change without prior notice.

04 | Page

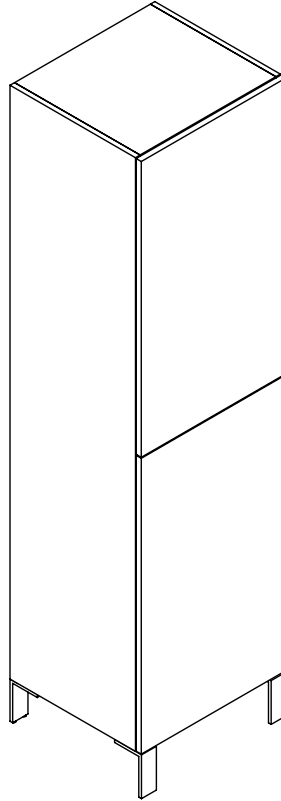
Savvy-20/Soho-20 Linen Cabinet - FREE STANDING

Specification & Installation Guide

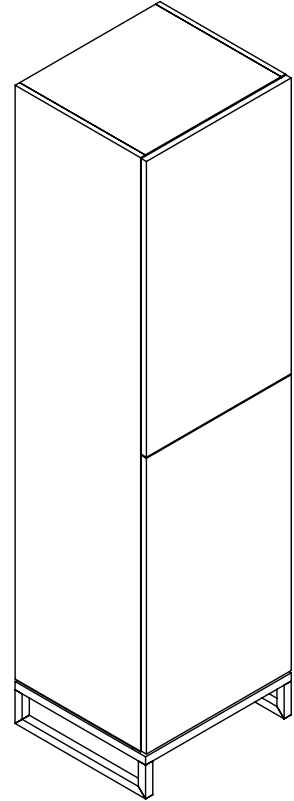
S-FEET



L-FEET



C-BASE



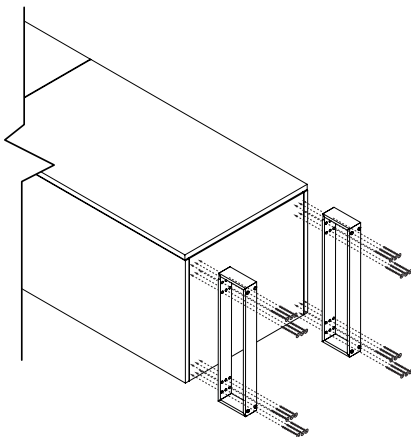
FEET/BASE INSTALLATION

1. Lay the cabinet on a table.
2. Mark screw locations using legs/base as template.
3. Pre-drill holes with 5/64", 3/32" or 7/64" drill bit about 1/2" deep.
4. Using provided screws, fix legs/base to cabinet as shown below.

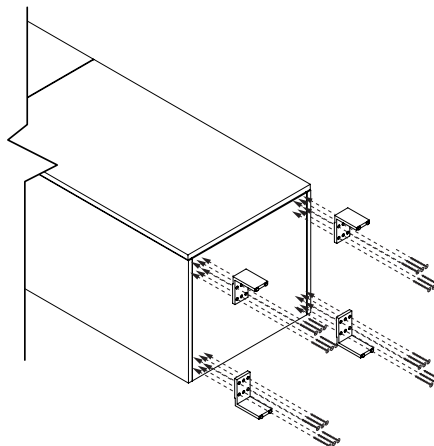
If using a regular battery drill, set clutch to minimum and increase setting as needed.

DO NOT OVER TIGHTEN THE SCREWS. DOING SO WILL SPLIT THE WOOD SIDE PANEL.

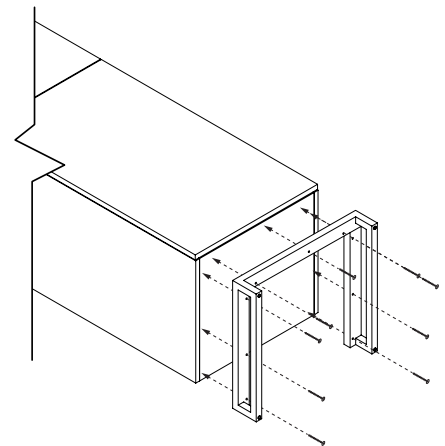
S-FEET INSTALLATION



L-FEET INSTALLATION



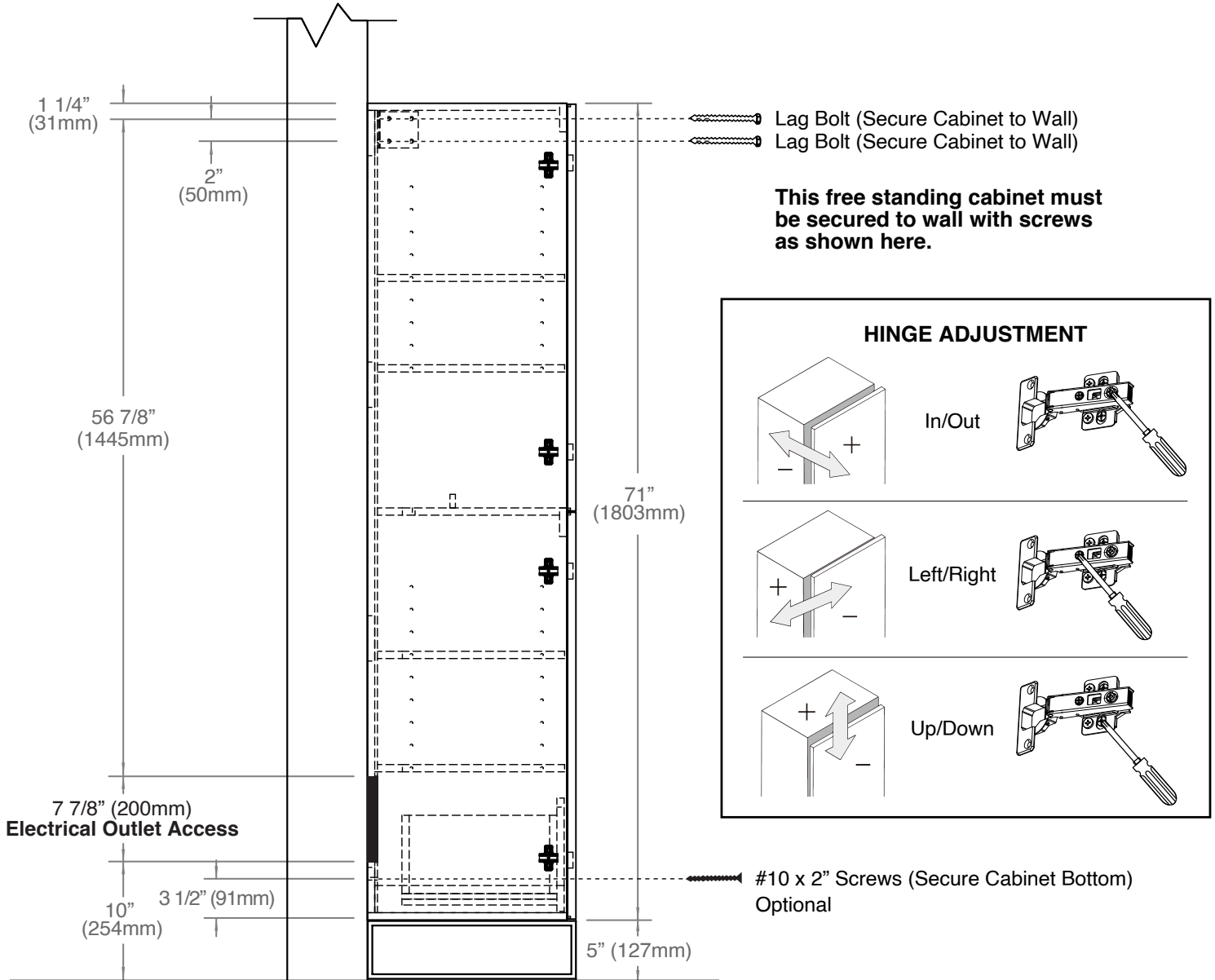
C-BASE INSTALLATION



Savvy-20/Soho-20 Linen Cabinet - FREE STANDING

Specification & Installation Guide

TYPICAL INSTALLATION



ELECTRICAL CONNECTION

After the cabinet is mounted and secured to wall, connect the power supply plug to a Class A 120VAC 20A GFCI (Ground Fault Circuit Interrupter) electrical outlet on wall as shown on page 4.